

Features

- 16A switching capability
- Contact arrangement:1A
- Standard PCB terminal
- Breakdown voltage (between contact and coil):4KV
- UL insulation system:Class F
- Environment-friendly product (RoHS compliant)
- Outline Dimensions:(24.0×11.0×25.0)mm
- Main application:Home appliance, Smart home



TV-8 C **RU**® US

CHARACTERISTICS

Specifications	Item		
Contact Data	Contact arrangement		1A
	Contact resistance(initial)		≤100mΩ(6VDC 1A)
	Contact material		AgSnO ₂
Rated value	Rated load(Resistance load)		16A 250VAC(Standard) 10A 250VAC
	Max.switching voltage		277VAC
	Max.switching current		16A
	Max.switching capacity		4000VA
	Min.allowing load		5VDC 100mA
Electrical performance	Insulation resistance(initial)		1000MΩ(500VDC)
	Dielectric strength (initial)	Between open contacts	1000VAC,1min
		Between coil&contacts	4000VAC,1min
	Operate time		≤15ms
	Release time		≤5ms
Mechanical performance	Shock resistance	Functional	98m/s ² (10g)
		Destructive	980m/s ² (100g)
	Vibration resistance		10Hz~55Hz 1.5mm DA
Endurance	Mechanical		1×10 ⁶ ops
	Electrical(Room temperature)		16A 250VAC 5×10 ⁴ ops(ON/OFF=1s/9s) 10A 250VAC 1×10 ⁵ ops(ON/OFF=1s/9s)
Operate condition	Ambient temperature		-40℃~85℃
	Humidity		5% to 90%
Termination			PCB
Unit weight			Approx.12g
Construction			Flux proofed

COIL DATA(23°C)

Nominal Voltage	Operate Voltage VDC	Release Voltage VDC	Rated Current (±10%)	Coil Resistance (±10%)	Nominal Power	Max Voltage
DC 5V	≤3.75	≥0.25	106.4mA	47Ω	530mW	DC 6.5V
DC 9V	≤6.75	≥0.45	58.8mA	153Ω		DC 11.7V
DC 12V	≤9.00	≥0.60	44.1mA	272Ω		DC 15.6V
DC 24V	≤18.00	≥1.20	22.1mA	1087Ω		DC 31.2V

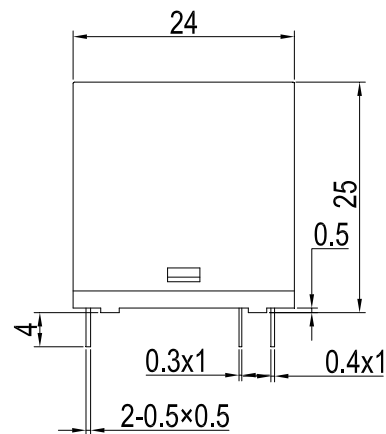
ORDERING INFORMATION

W33T -1A T E -XXX DC12V

- ① Type
- ② Contact arrangement:1A=1 open contacts
- ③ Contact material:T=AgSnO₂
- ④ Load:nil=Standard load E=High load(16A)
- ⑤ Customer special code:numbers or letters denote customer's requirements
- ⑥ Coil specification:DC5/9/12/24V

OUTLINE DIMENSIONS,WIRING DIAGRAM AND PC BOARD LAYOUT(Unit:mm)

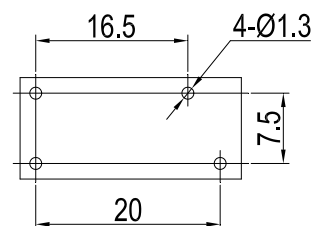
1A Outline Dimensions



Wiring Diagram (Bottom view)



PCB Layout (Bottom view)



Remark: (1) In case of no tolerance shown in outline dimension:outline dimension≤1mm,tolerance should be±0.2mm;outline dimension >1mm and <5mm,tolerance should be ±0.3mm;outline dimension≥5mm,tolerance should be ±0.5mm.

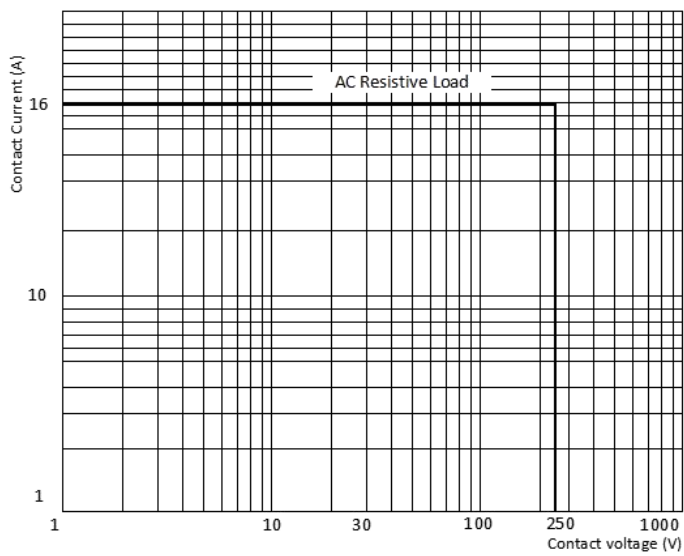
(2) The tolerance without indicating for PCB layout is always ±0.1mm.

SAFETY APPROVAL RATINGS

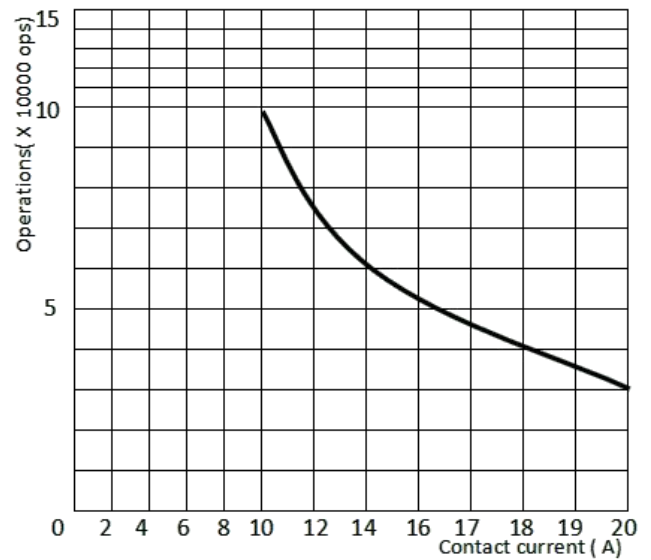
Approval	File No.	Contact arrangement	Contact material	Approved ratings		
UL/C-UL	E475405	1A	AgSnO ₂	16A/10A	250VAC	85°C
				TV-8	125VAC	85°C
TUV	R 50406989	1A	AgSnO ₂	16A/10A	250VAC	85°C
CQC	CQC18002188987	1A	AgSnO ₂	16A/10A	250VAC	85°C

PERFORMANCE CURVES

MAXIMUM SWITCHING POWER



ENDURANCE CURVE



NOTICE

- ① In order to maintain the initial performance parameters of the relay, please be careful not to drop the product;
- ② The specification is for reference only. Specifications subject to change without notice.