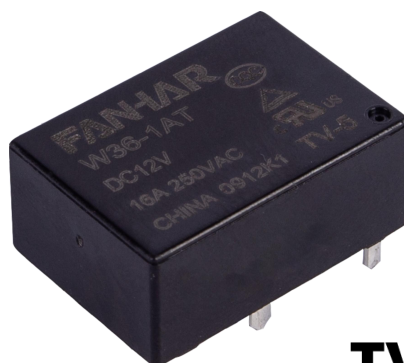


Features

- 16A switching capability
- Contact arrangement: 1A
- Standard PCB terminal
- The height of the product is 10mm, it is suit for flat mounting
- Products with operating temperature of 105°C are available
- UL insulation system: Class F
- Environment-friendly product (RoHS compliant)
- Outline Dimensions: (23.0×16.0×10.0)mm
- Main application: Home appliance, Smart home



TV-5 C  US

CHARACTERISTICS

Specifications	Item		
Contact Data	Contact arrangement		1A
	Contact resistance(initial)		≤100mΩ(6VDC 1A)
	Contact material		AgSnO ₂
Rated value	Rated load(Resistance load)		16A 250VAC
	Max.switching voltage		277VAC
	Max.switching current		16A
	Max.switching capacity		4000VA
	Min.allowing load		5VDC 100mA
Electrical performance	Insulation resistance(initial)		1000MΩ(500VDC)
	Dielectric strength (initial)	Between open contacts	1000VAC, 1min
		Between coil&contacts	2500VAC, 1min
	Impact resistance voltage		Between coil&contacts 10KV(1.2×50μs)
	Operate time		≤10ms
	Release time		≤5ms
Mechanical performance	Shock resistance	Functional	98m/s ² (10g)
		Destructive	980m/s ² (100g)
	Vibration resistance		10Hz~55Hz 1.5mm DA
Endurance	Mechanical		1×10 ⁶ ops
	Electrical(Room temperature)		16A 250VAC 5×10 ⁴ ops (ON/OFF=1s/9s)
Operate condition	Ambient temperature		-40°C~85/105°C
	Humidity		5% to 90%
Termination			PCB
Unit weight			Approx. 10g
Construction			Plastic sealed, Flux proofed

COIL DATA(23°C)

Nominal Voltage	Operate Voltage VDC	Release Voltage VDC	Rated Current (±10%)	Coil Resistance (±10%)	Nominal Power	Max Voltage
DC 3V	≤2.25	≥0.15	66.7mA	45Ω	200mW	DC 3.9V
DC 5V	≤3.75	≥0.25	40mA	125Ω		DC 6.5V
DC 6V	≤4.50	≥0.30	33.3mA	180Ω		DC 7.8V
DC 9V	≤6.75	≥0.45	22.2mA	405Ω		DC 11.7V
DC 12V	≤9.00	≥0.60	16.7mA	720Ω		DC 15.6V
DC 24V	≤18.00	≥1.20	8.33mA	2880Ω		DC 31.2V
DC 48V	≤36.00	≥2.40	4.2mA	11520Ω		DC 62.4V

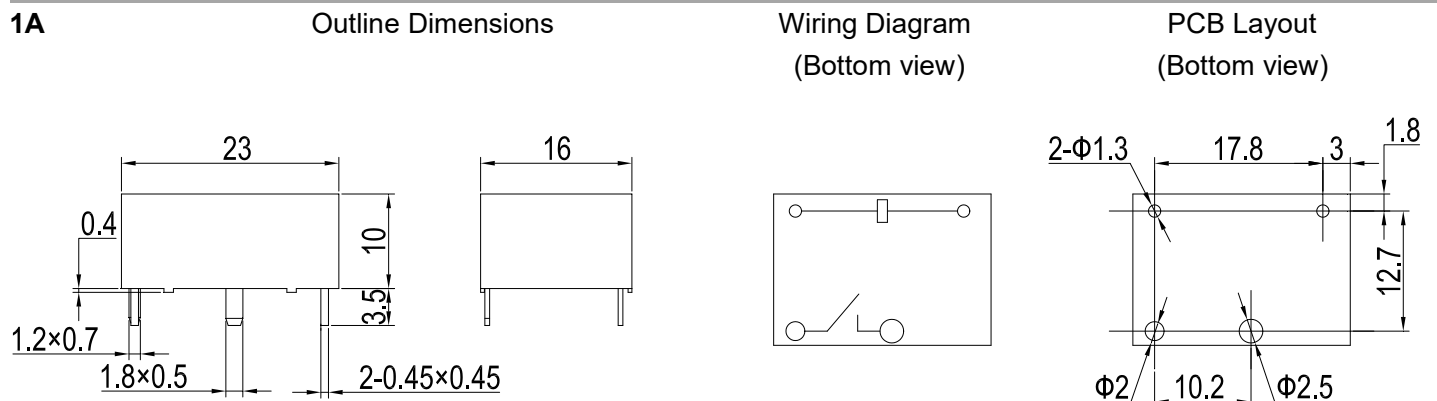
ORDERING INFORMATION

W36 -1A S T -XXX DC12V

- ① Type
- ② Contact arrangement:1A=1open contacts
- ③ Construction(1):Nil=Flux proofed,S=Plastic sealed
- ④ Contact material:T=AgSnO₂
- ⑤ Customer special code:numbers or letters denote customer's requirements
- ⑥ Coil specification:DC3/5/6/9/12/24/48V

- (1) When used in clean environment(excluding H₂S,SO₂,NO₂,dust and other pollutants), it is recommended to choose the Flux proofed type;When used in unclean environment(contain H₂S,SO₂,NO₂,dust and other pollutants), it is recommended to choose the Plastic sealed.

OUTLINE DIMENSIONS,WIRING DIAGRAM AND PC BOARD LAYOUT(Unit:mm)



Remark: (1) In case of no tolerance shown in outline dimension:outline dimension≤1mm,tolerance should be±0.2mm;outline dimension >1mm and <5mm,tolerance should be ±0.3mm;outline dimension≥5mm,tolerance should be ±0.5mm.

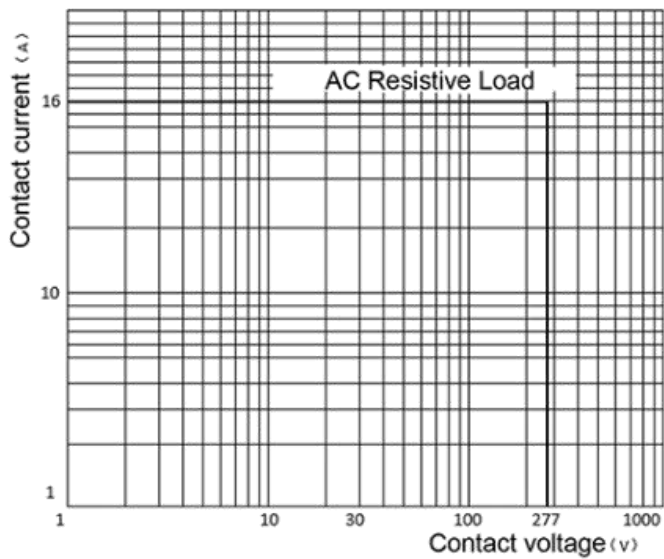
(2) The tolerance without indicating for PCB layout is always ±0.1mm.

SAFETY APPROVAL RATINGS

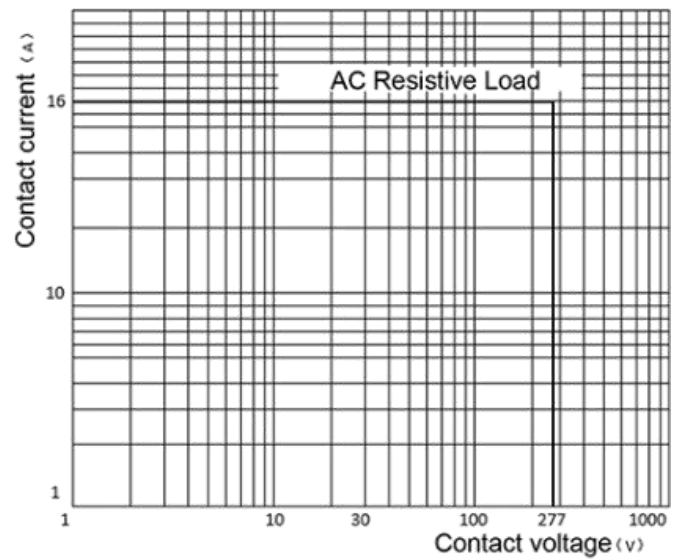
Approval	File No.	Contact arrangement	Contact material	Approved ratings		
UL/C-UL	E475405	1A	AgSnO ₂	16A/10A	250VAC	85°C/105°C
				TV-5	250VAC	85°C
TUV	R 50412261	1A	AgSnO ₂	16A/10A	250VAC	85°C/105°C
CQC	CQC18002198137	1A	AgSnO ₂	16A/10A	250VAC	105°C

PERFORMANCE CURVES

MAXIMUM SWITCHING POWER



ENDURANCE CURVE



NOTICE

- ① In order to maintain the initial performance parameters of the relay, please be careful not to drop the product;
- ② The specification is for reference only. Specifications subject to change without notice.